

# JVC

## SERVICE MANUAL

### STEREO HEADPHONES

# HA-E3-BK/BU/RD/SL(K),(E),(N) HA-E3V-BU/SL(K)

The "Product Exchange System" is applicable to this product.  
For limited spare parts, refer to the parts list.



HA-E3



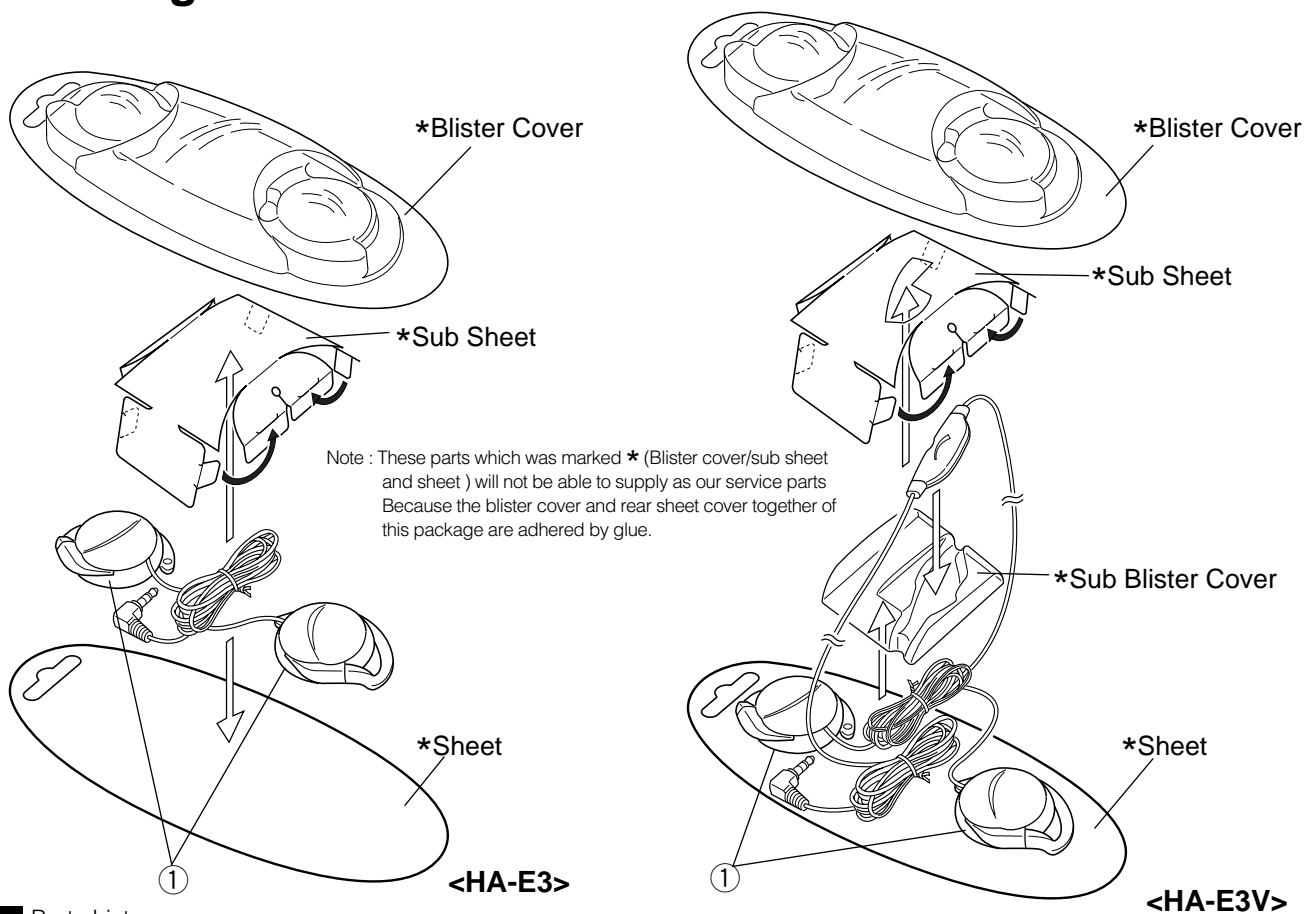
HA-E3V

### Specifications

	HA-E3	HA-E3V
Type	Moving coil	Moving coil
Frequency response	18Hz-24,000Hz	18Hz-24,000Hz
Nominal impedance	32 ohms	32 ohms
Sensitivity	94 dB/1 mW	94 dB/1 mW
Max. input capability	30 mW	30 mW
Cord length	1.2 m (3.94 ft) with 3.5mm dir.stereo miniplug	1.2 m (3.94 ft) with 3.5mm dir.stereo miniplug
Mass	26g (0.92 oz) without cord 37g (1.30 oz) with cord	26g (0.92 oz) without cord 41g (1.45 oz) with cord

*Design and specifications subject to change without notice.*

# Packing Method

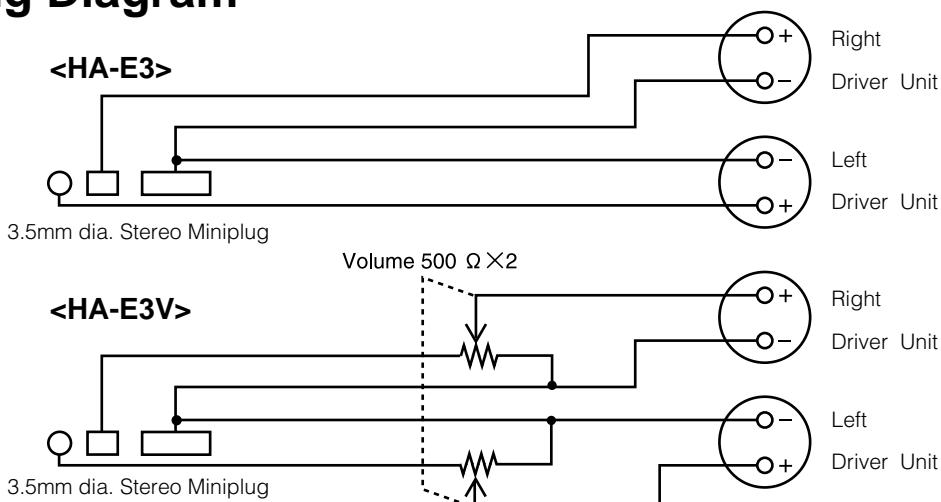


## Parts List

△	Item No.	Parts No.	Parts Name	Q'ty	Description
	1	J33695-001	Ear Pad	2	

\*Parts marked ( △ ) are safety parts. When replacing, be sure to use the specified one.

# Wiring Diagram



VICTOR COMPANY OF JAPAN, LIMITED

COMMUNICATION NETWORK BUSINESS UNIT, 1644, SHIMOTSURUMA, YAMATO-SHI KANAGAWA-KEN, 242-8514, JAPAN